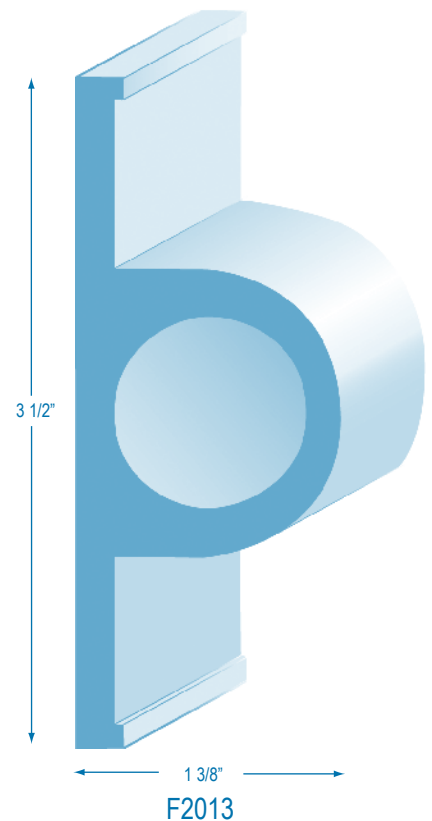
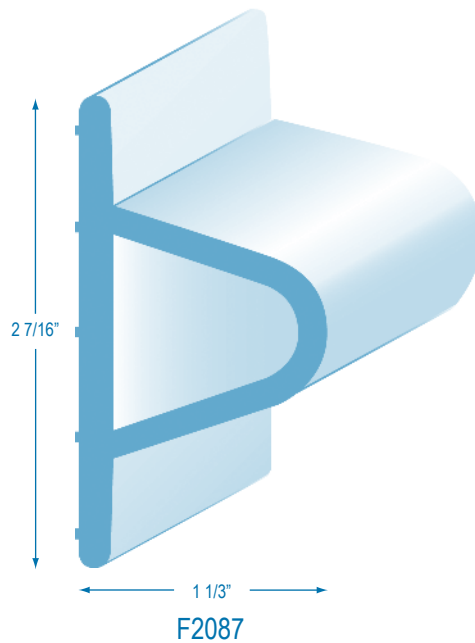
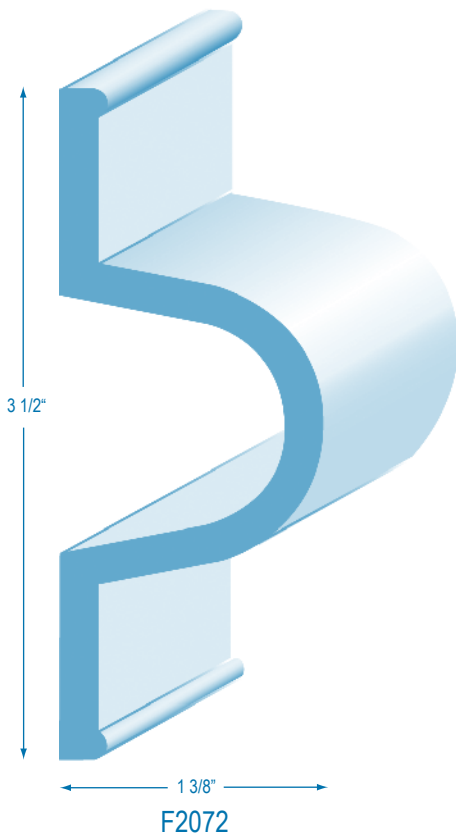


Marine Grade Dock Bumpers

Manufactured by Barbour Plastics, Inc.
Specializing in extruded profiles for the
marine industry for over 35 years

- Produced only from top quality marine grade flexible vinyl
- Quality grade UV and Fungicide inhibitors added to prolong the life of the bumper
- Offered in many specifically designed shapes to suit any dock design or impact resistance requirement
- Stock available from both manufacturing plants in Atlanta, Georgia and Brockton, Massachusetts



Barbour Plastics, Inc.
A Subsidiary of Barbour Corporation

1001 North Montello St., P. O. Box 2158, Brockton, MA 02305
(508)583-8200 Fax(508) 583-4113
email: sales@barbourplastics.com • www.barbourplastics.com

Dock Bumpers



- Shipping is FOB, Atlanta, GA or Brockton, MA
- Standard stock colors are black and white
- Standard length is 10 feet
- Custom colors and lengths are available
- Preferred payment is VISA or Mastercard
- Minimum order is \$100.00

To order call our Marine Sales Department at (508)583-8200

