

# MARINE PRODUCTS



**Barbour Plastics, Inc.**

## Introducing

# Slipfit

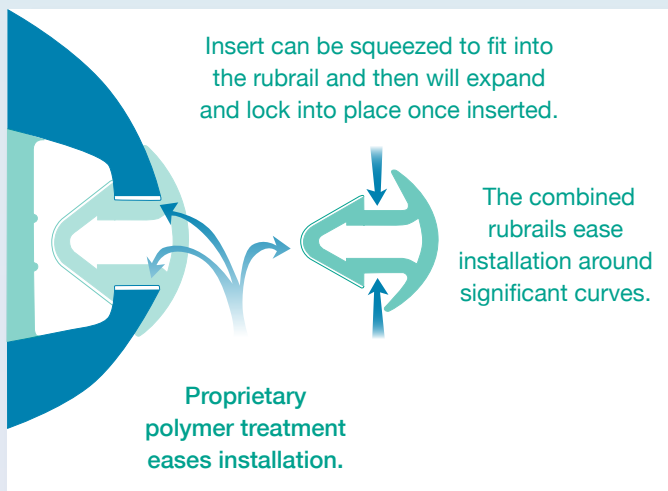
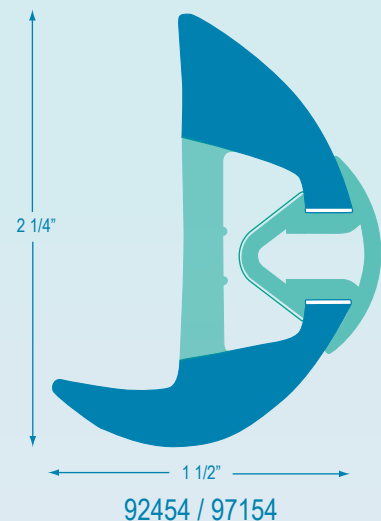
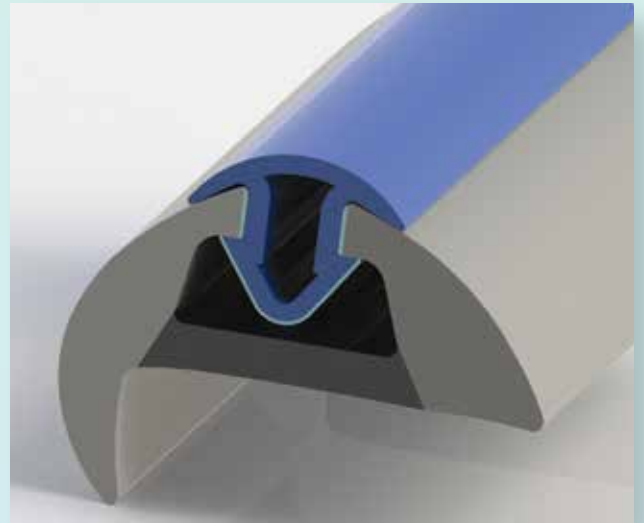
*Sliding surfaces ease installation*

At Barbour Plastics we listen to customer feedback and take what we hear very seriously. Some of our customers have told us that installing a flexible insert into the rubrail base can be challenging at times. We have also heard that some rubrails installed on S-bend gunwales do not retain tubular inserts at the bend point well. Such feedback has led us to develop an innovative new product to address such issues.

SlipFit is a two piece rubrail/insert system whose insert is designed to snap into place with ease and stay put at those sharp bends.

There are several key features that make this possible:

- ➔ Opposing surfaces of both the rubrail base and the insert are coated with a proprietary polymer having a low coefficient of friction, such that with very little pressure, the insert slips right into place
- ➔ While the barb-shaped insert is passing through the opening of the rubrail base, its body can be compressed to further aid installation
- ➔ Once the insert is in place, its body decompresses and is firmly secured in place by the undersection of the rubrail base



Scan or go to  
[www.barbourplastics.com/slipfit-rubrail-insert](http://www.barbourplastics.com/slipfit-rubrail-insert)  
to see more SlipFit products



Patent Pending

Barbour Plastics, Inc. has the most extensive line of products for the marine and boat building industry. Our standard line of extruded polymer products contain over 1,200 profiles in many colors. We also welcome the opportunity to solve customer problems by engineering custom solutions. An in-house tool and die shop enables us to complete customized tooling efficiently, competitively and control all aspects of a project from design through manufacture. Barbour's quality control department has the latest equipment to insure all products meet industry standards, dimensional specifications, and QUV testing for color fastness and stability.

Barbour Plastics has earned a stellar reputation for quality manufacturing and outstanding customer service over the 30 plus years they have served the marine industry.

## CONTENTS

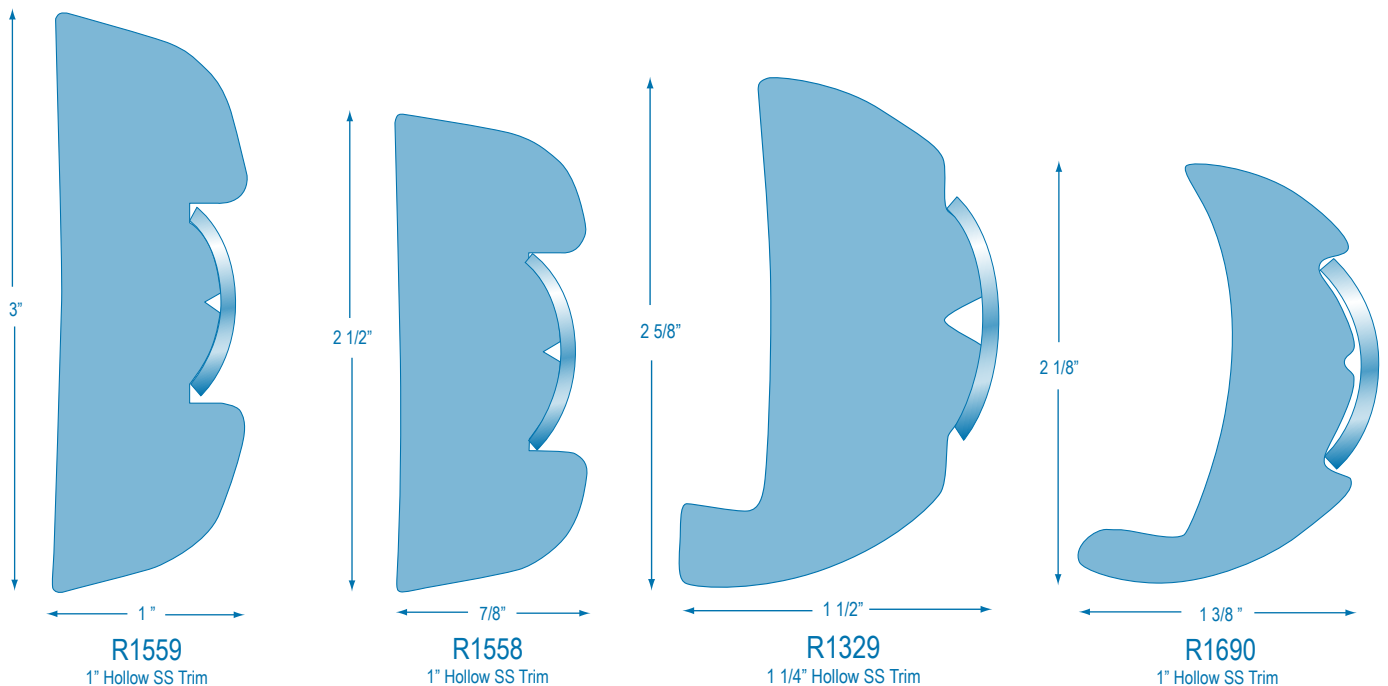
- 2 Slipfit Rubrails
- 3 Rubrails with Stainless Steel Trim
- 7 Stainless Steel Trim & End Caps
- 8 Rubrails  
Uniflex, Flexible & Rigid Rubrails
- 14 Toe Rails & Spray Rails  
Canoe Rails  
Ladder Treads
- 15 Flat Trim & Half Ovals  
Inserts for Vinyl & Aluminum Rails
- 16 U Moldings  
Awning Track & Welt
- 17 L Moldings  
Galley, Interior & Carpet Trim
- 18 Table Edge & Interior Trim  
Dock Bumpers
- 19 INDEX



This catalog represents a sampling of our products. Scan to see updates and the full line of our products.

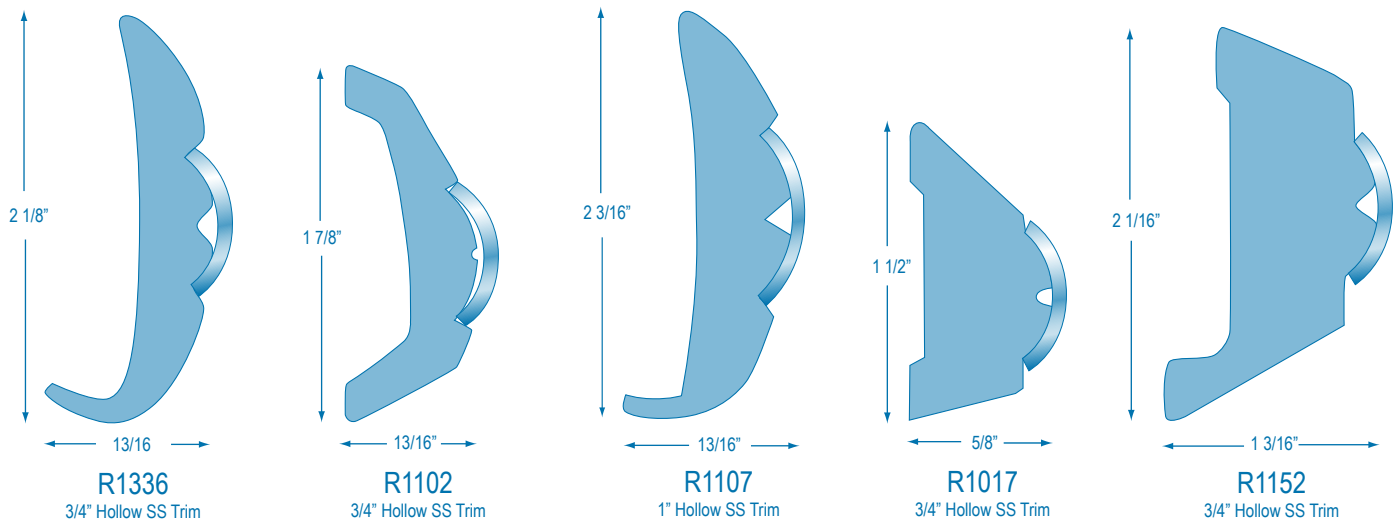
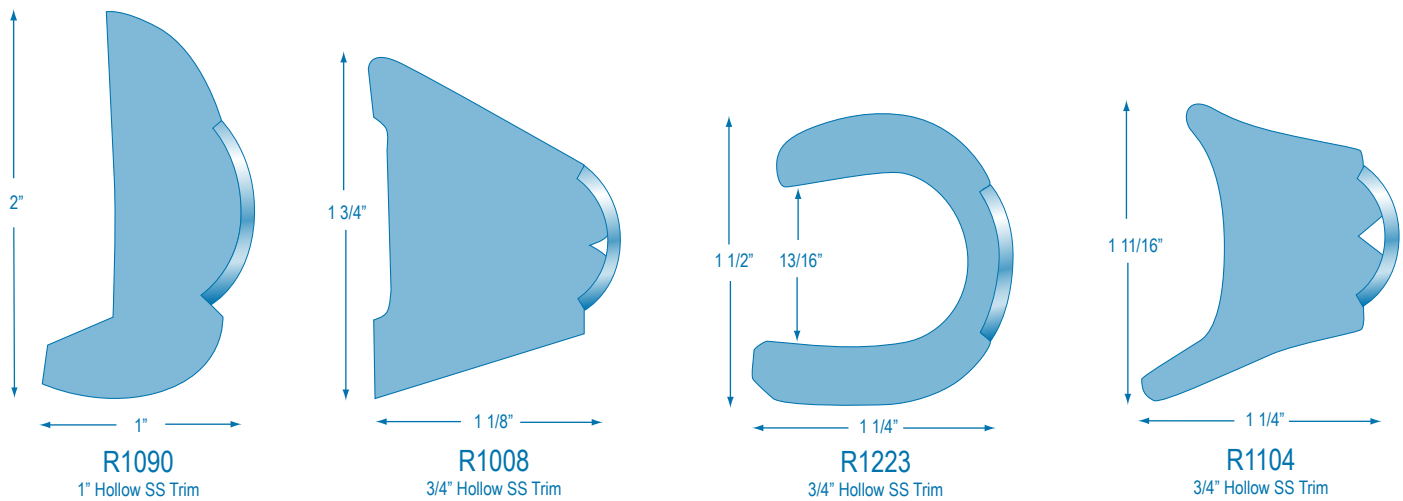
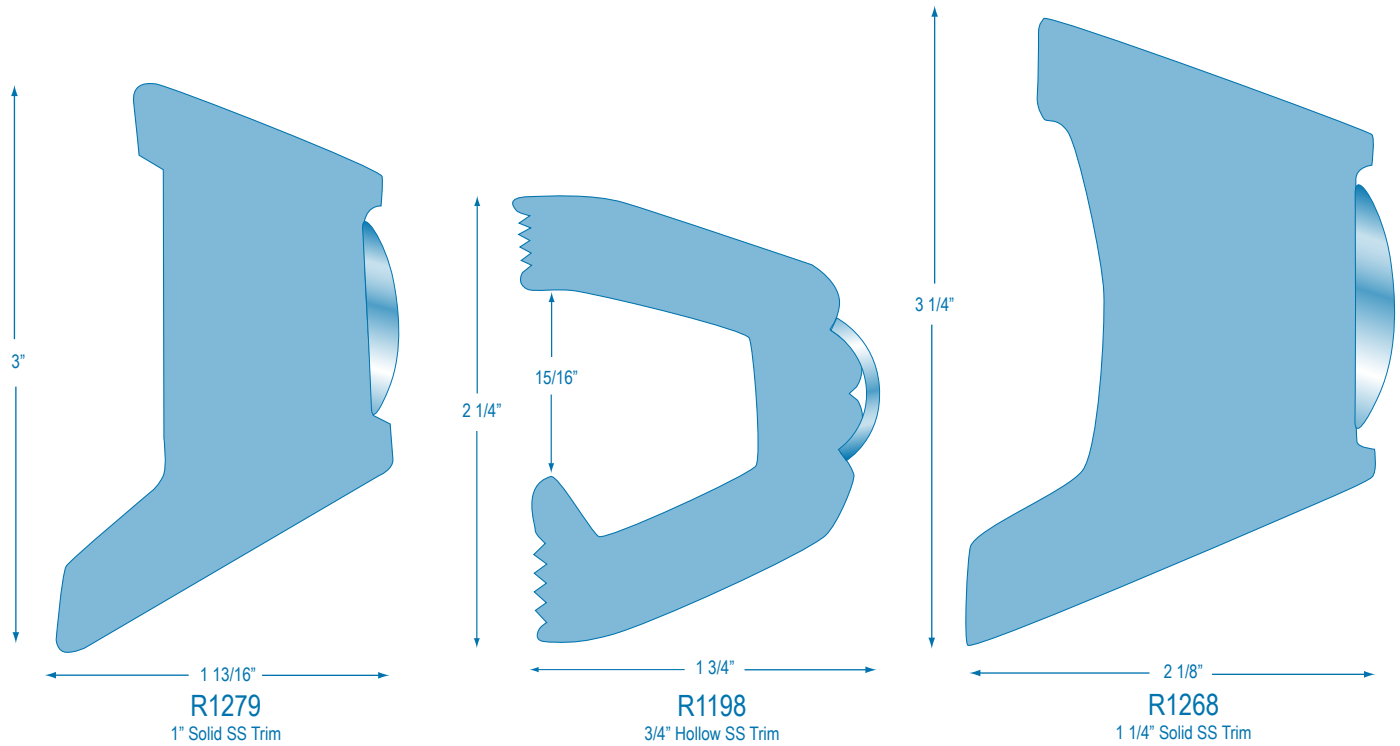
## Rigid Rubrails with Stainless Steel Trim (trim sold separately)

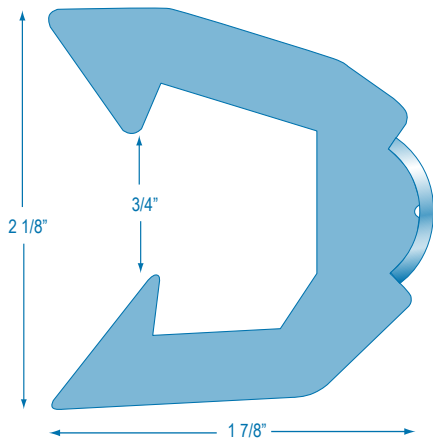
Durable rubrails produced in rigid or semi rigid PVC, can be accented with our polished stainless steel trim to achieve a sophisticated finish to your boat. Our rubrails can be drilled and countersunk to your specifications and many can be coiled to avoid seams.



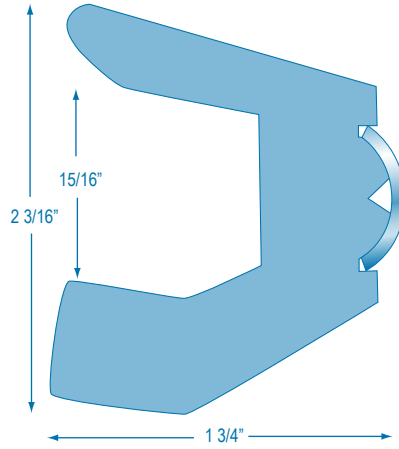
R = Rigid    F = Flexible

[www.barbourplastics.com](http://www.barbourplastics.com)

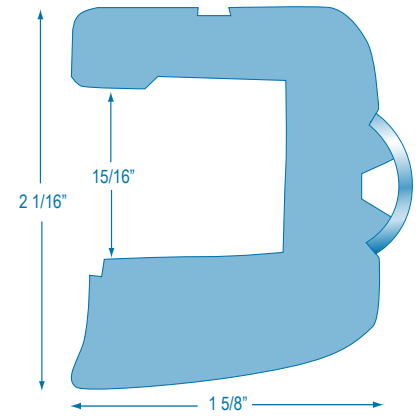




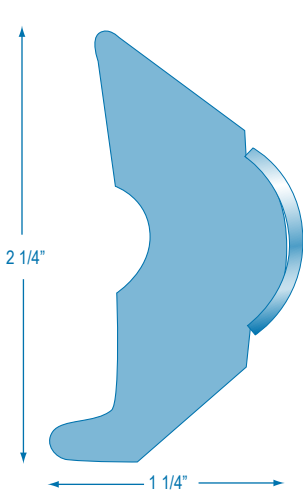
**R1576**  
3/4" Hollow SS Trim



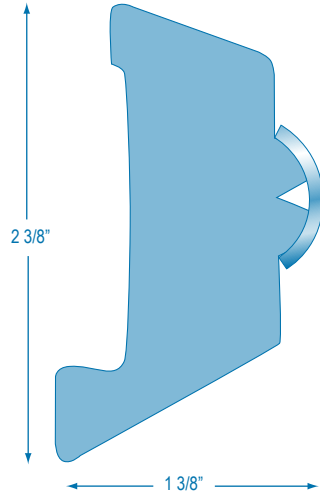
**R1115**  
3/4" Hollow SS Trim



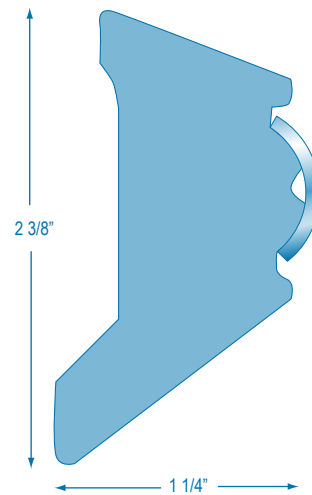
**R1019**  
3/4" Hollow SS Trim



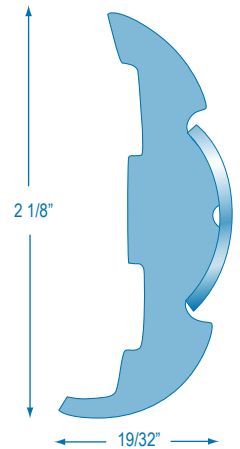
**R1093**  
1" Hollow SS Trim



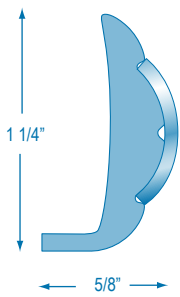
**R1141**  
3/4" Hollow SS Trim



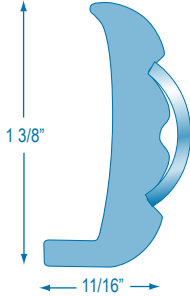
**R1065**  
3/4" Hollow SS Trim



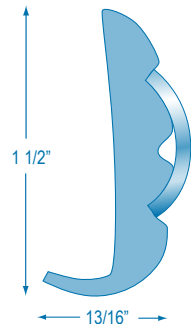
**R1708**  
1" Hollow SS Trim



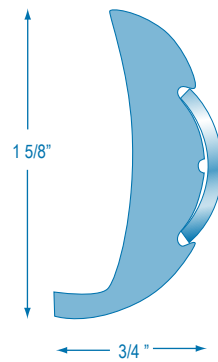
**R1482**  
3/4" Hollow SS trim



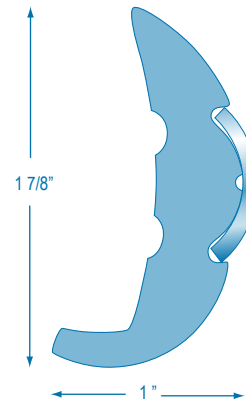
**R1499**  
3/4" Hollow SS trim



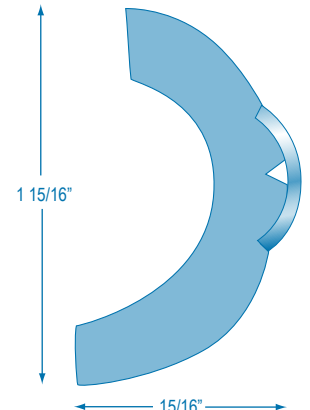
**R1140**  
3/4" Hollow SS Trim



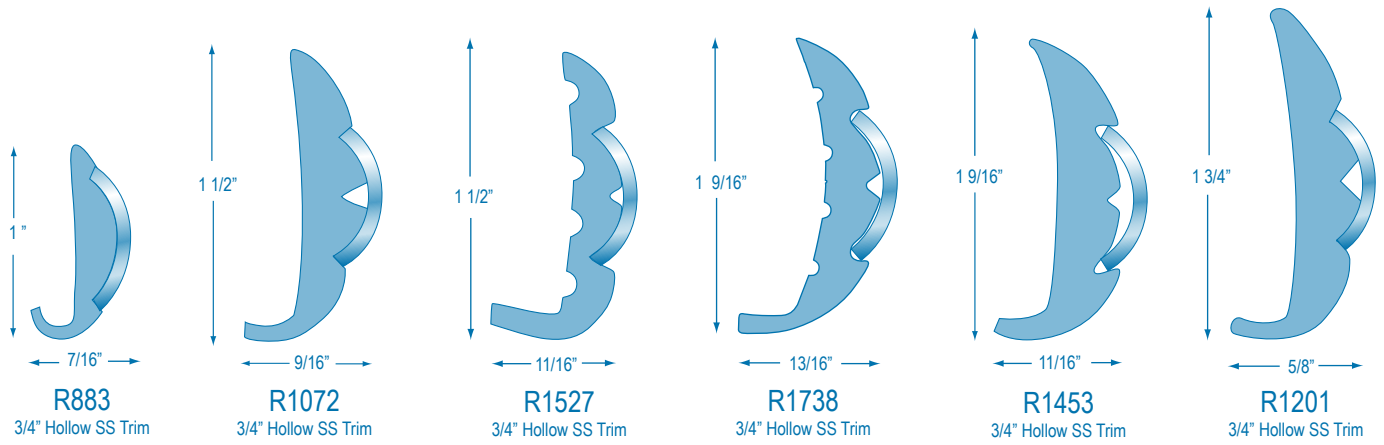
**R1580**  
3/4" Hollow SS Trim



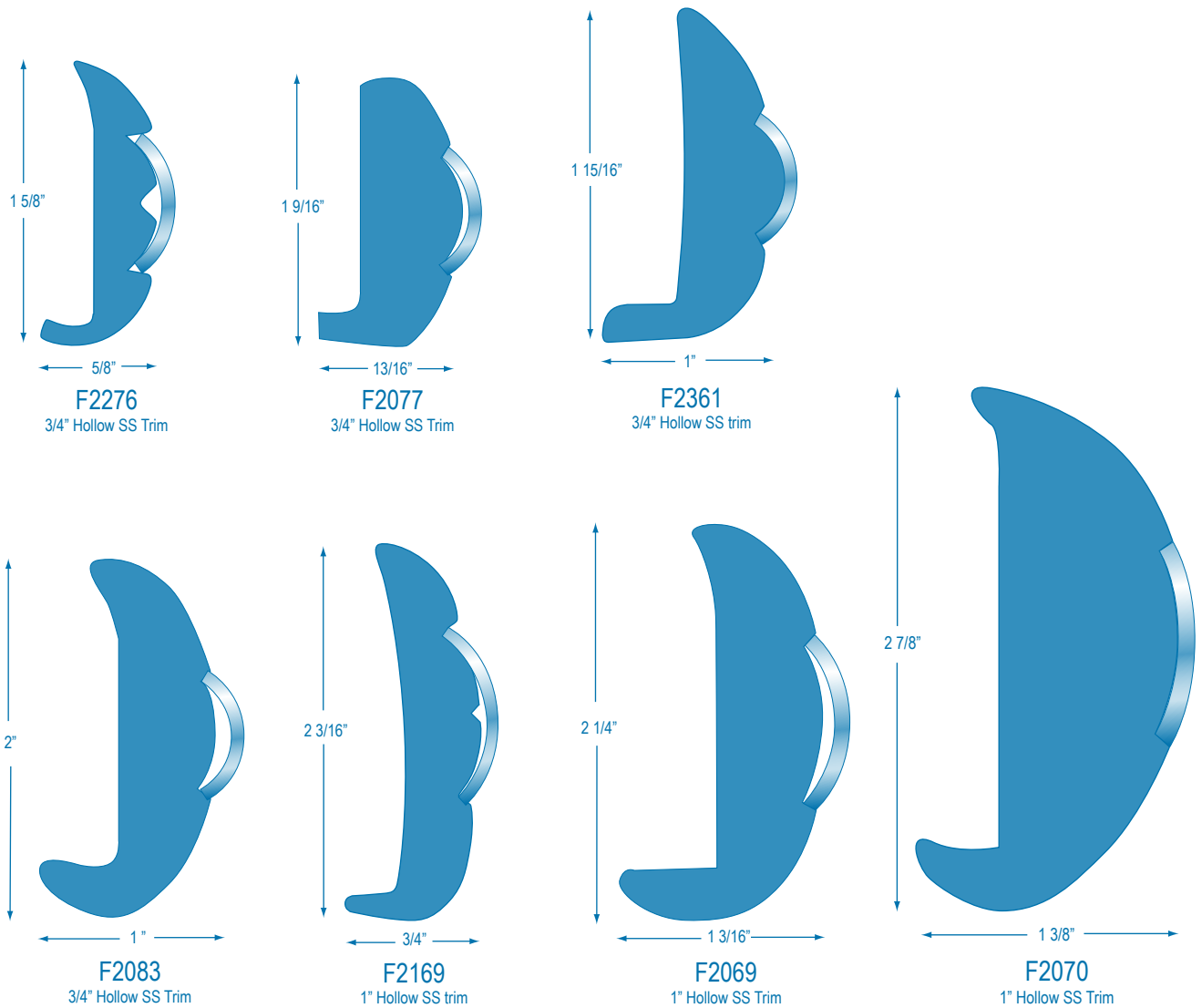
**R1707**  
3/4" Hollow SS Trim



**R1229**  
3/4" Hollow SS Trim



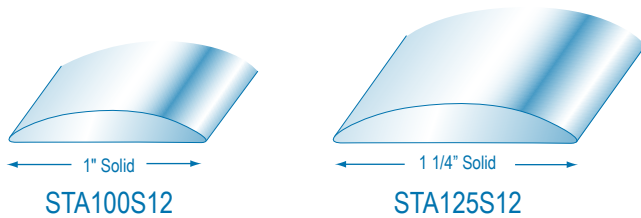
## Semi-Rigid Rubrails with Stainless Steel Trim



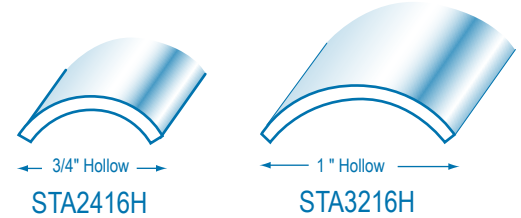
# Stainless Steel Trim & End Caps

Capture the timeless elegance of smooth polished stainless steel trim for your boat. Available in various lengths and thicknesses in 304 and 316 grades. All of our stainless steel trim is drilled and countersunk for your convenience. Custom strakes can be produced upon request.

## Stainless Steel Solid Trim



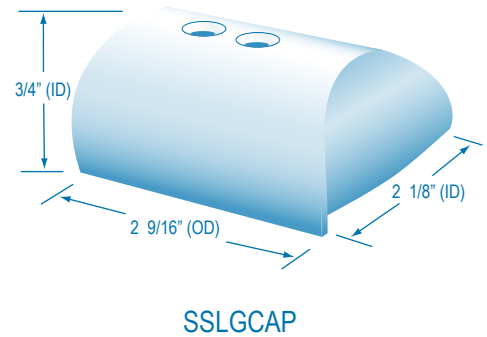
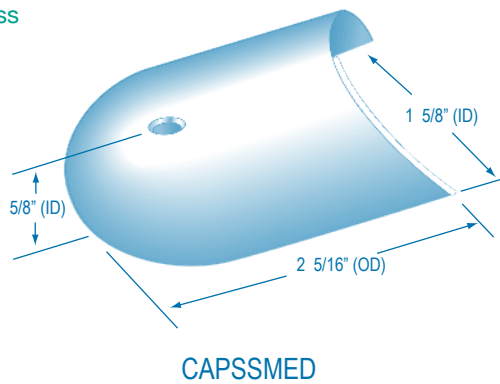
## Stainless Steel Hollow Trim



## Stainless Steel End Caps, Sold by the Pair

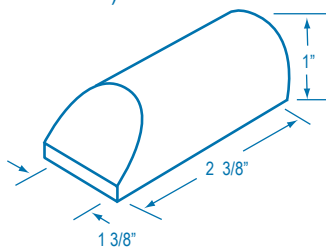
316 Grade Polished Stainless Steel End Caps.

(not to scale)

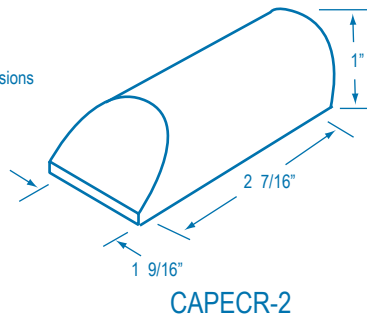


## Vinyl End Caps & Splice Cap

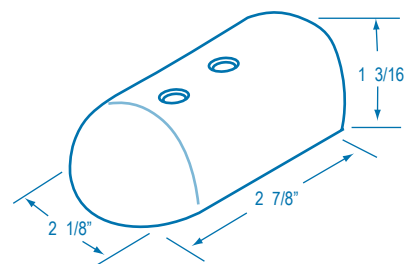
(not to scale)



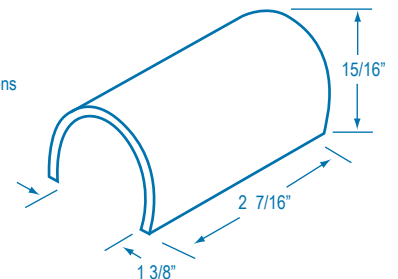
Dimensions are INTERIOR Dimensions



Dimensions are INTERIOR Dimensions



Dimensions are INTERIOR Dimensions



Dimensions are INTERIOR Dimensions


R = Rigid F = Flexible

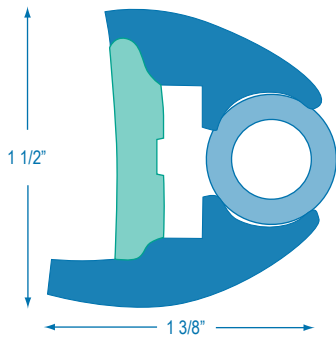
[www.barbourplastics.com](http://www.barbourplastics.com)

# Uniflex® Rubrails

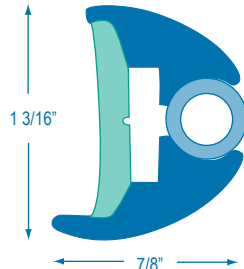


Combines the best features of our traditional rigid and flexible rubrails. This product is a dual durometer co-extrusion, meaning the two hardnesses of plastic are joined in the molten state, assuring a permanent bond. When installed the rail appears to be a typical flexible rubrail. What makes Uniflex® unique is that the base is formed from rigid or semi-rigid plastic, providing an extra degree of stiffness. This allows the rail to install straighter on the gunwale while still retaining the flexibility needed to turn corners. This system bears the load of fasteners, thus eliminating the bulges sometimes associated with flexible rubrails.

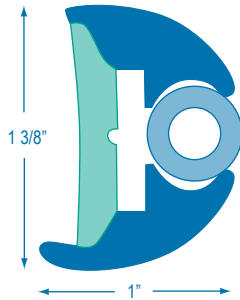
 Semi-rigid core of the Uniflex® Rubrail extrusion



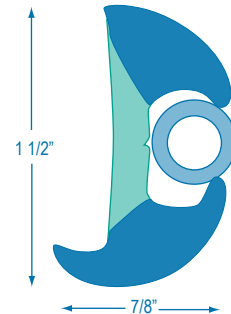
92021 / F725



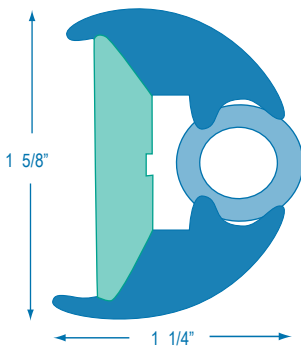
92031 / F714



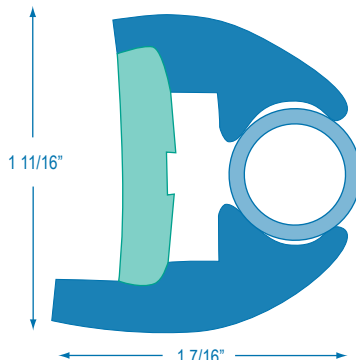
92015 / F713



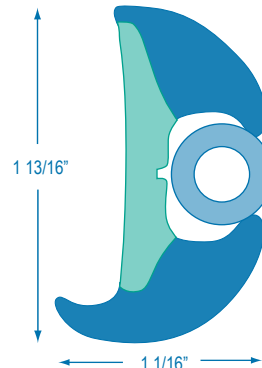
92159 / F714



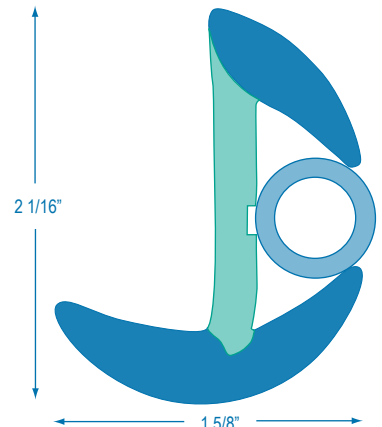
92200 / F725



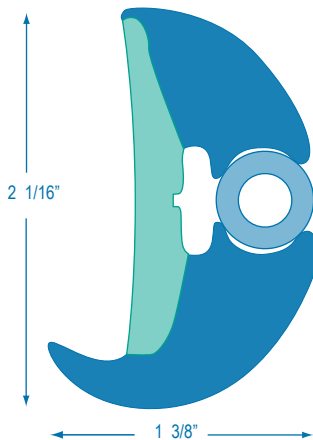
92033 / F779



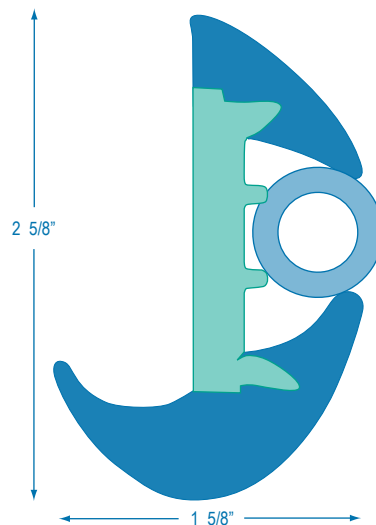
92051 / F758



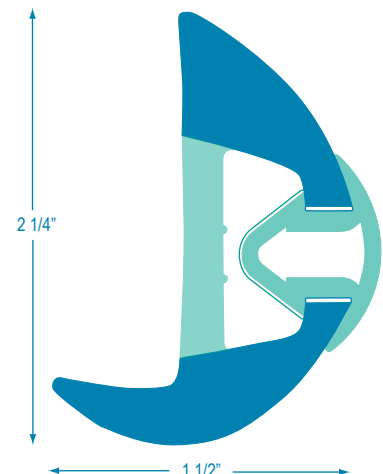
92449 / F725



92160 / F758



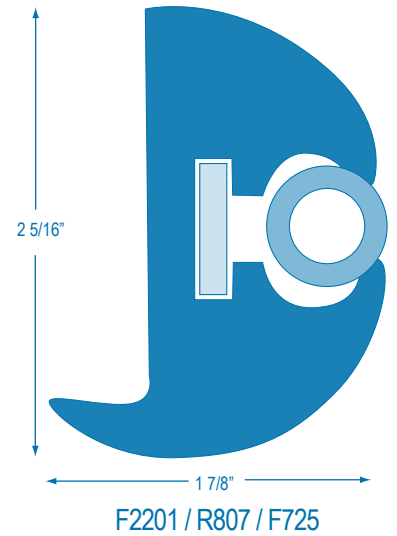
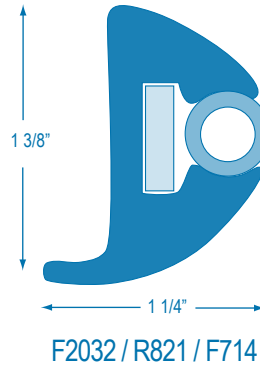
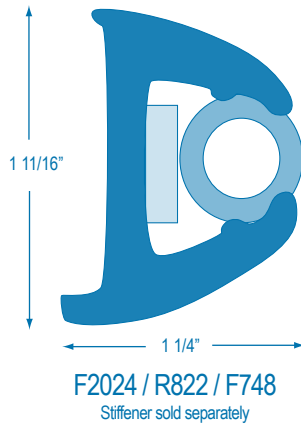
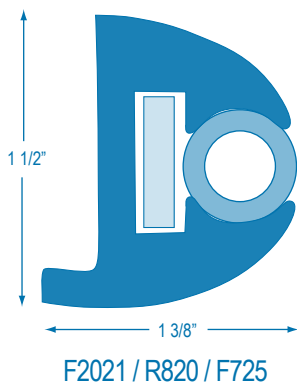
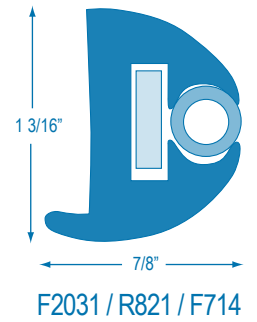
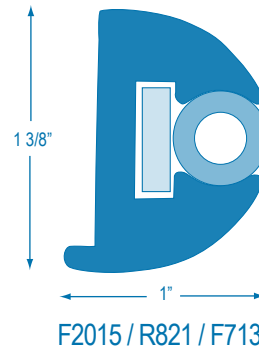
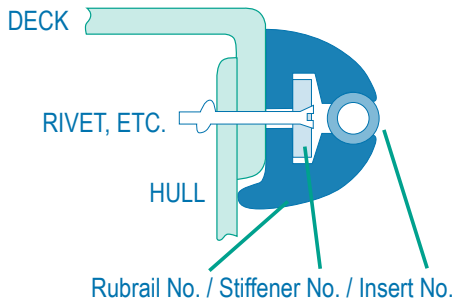
92162 / F725



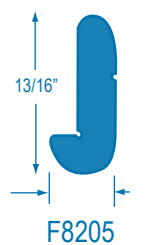
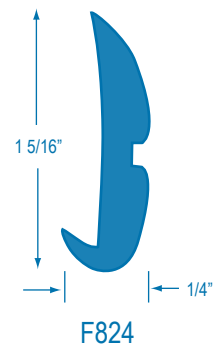
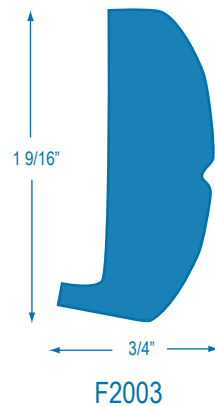
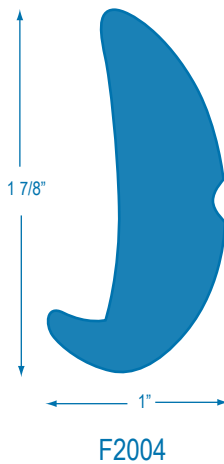
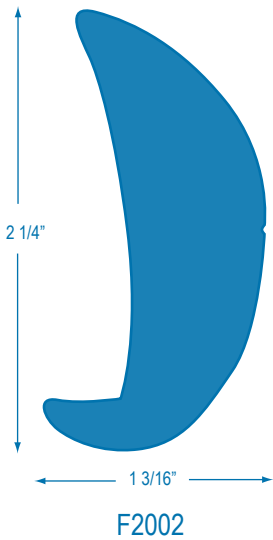
92454 / 97154



# Flexible Rubrails with Stiffener & Inserts



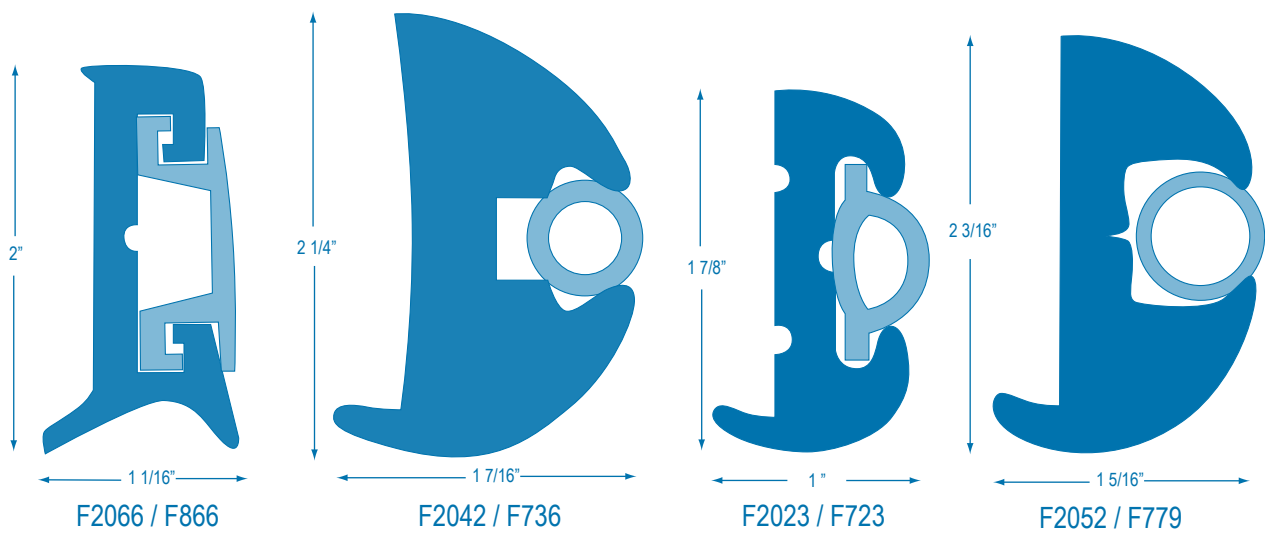
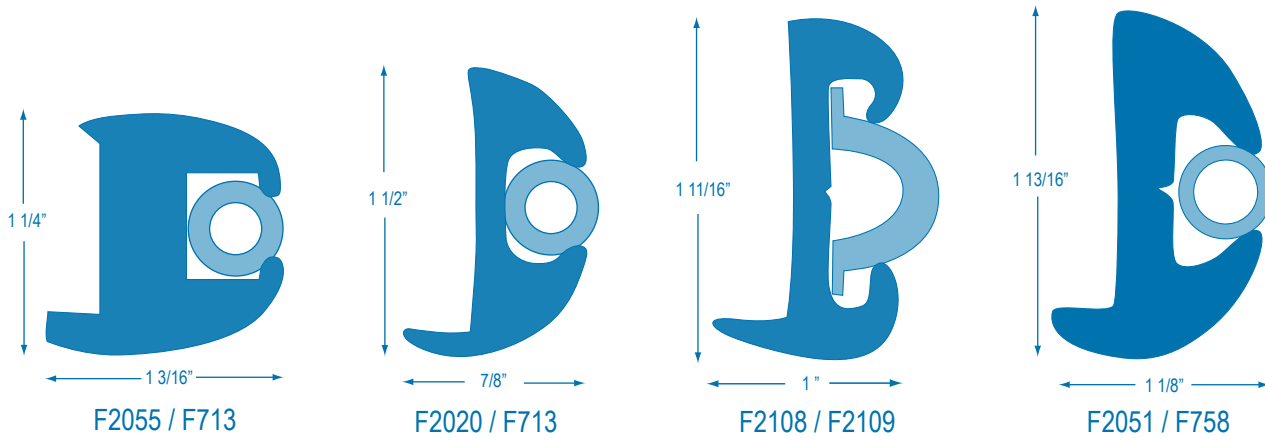
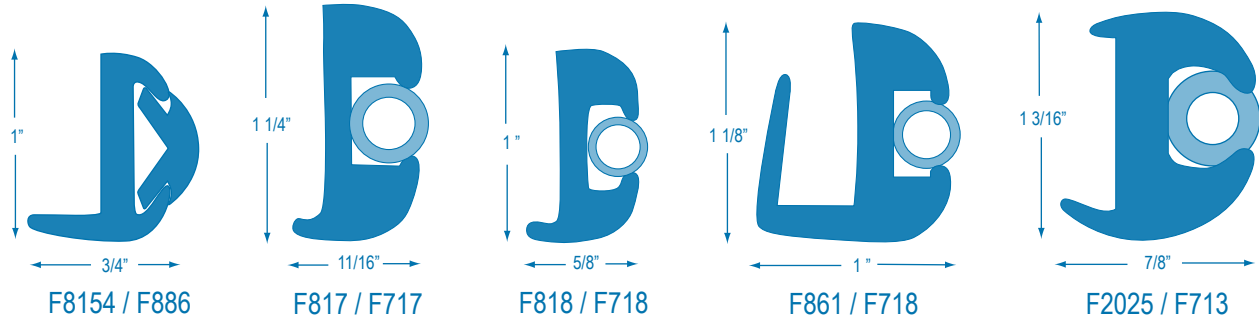
# Flexible Solid Rubrails



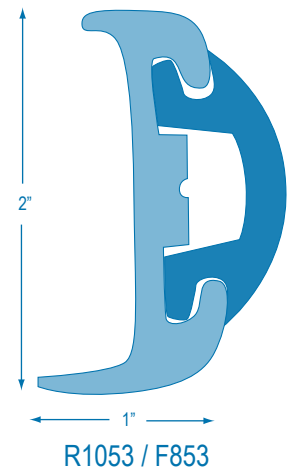
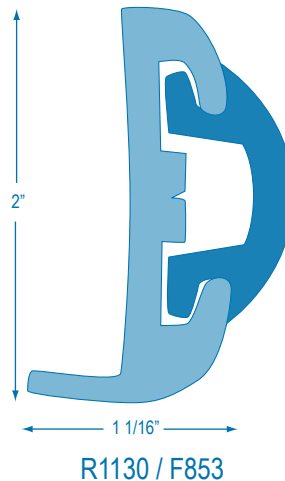
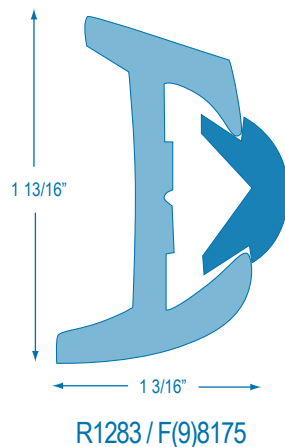
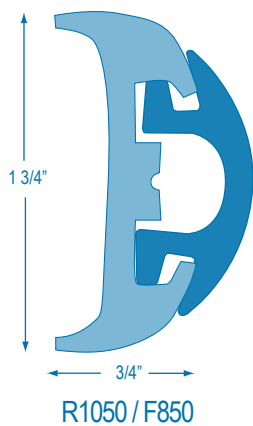
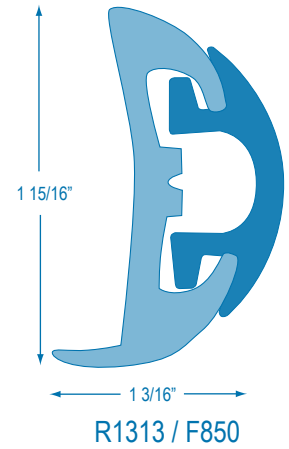
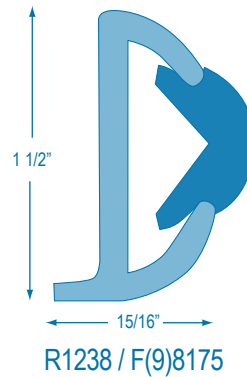
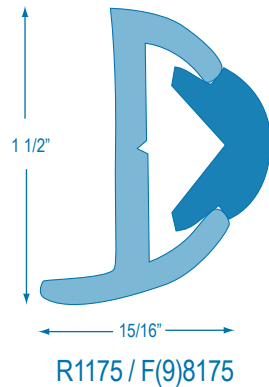
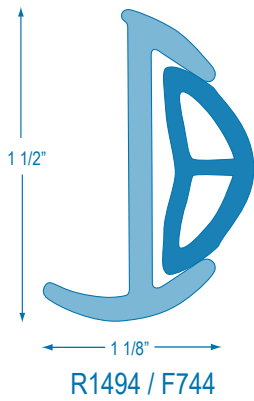
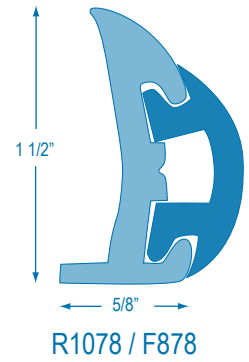
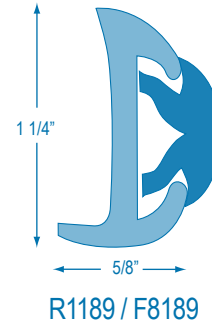
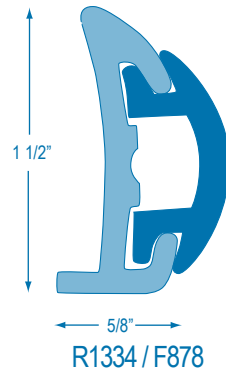
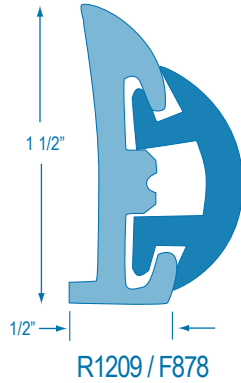
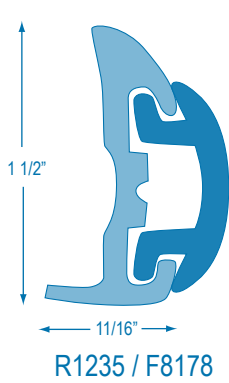
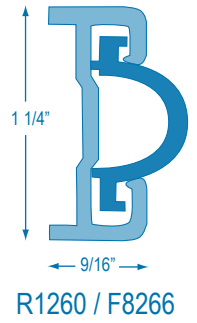
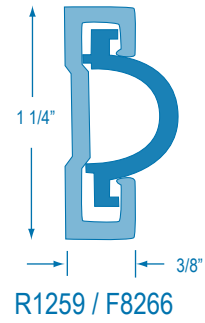
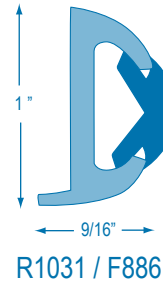
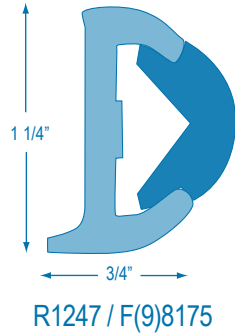
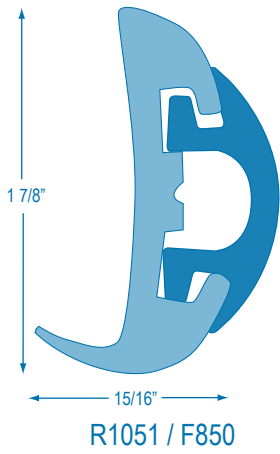
R = Rigid F = Flexible

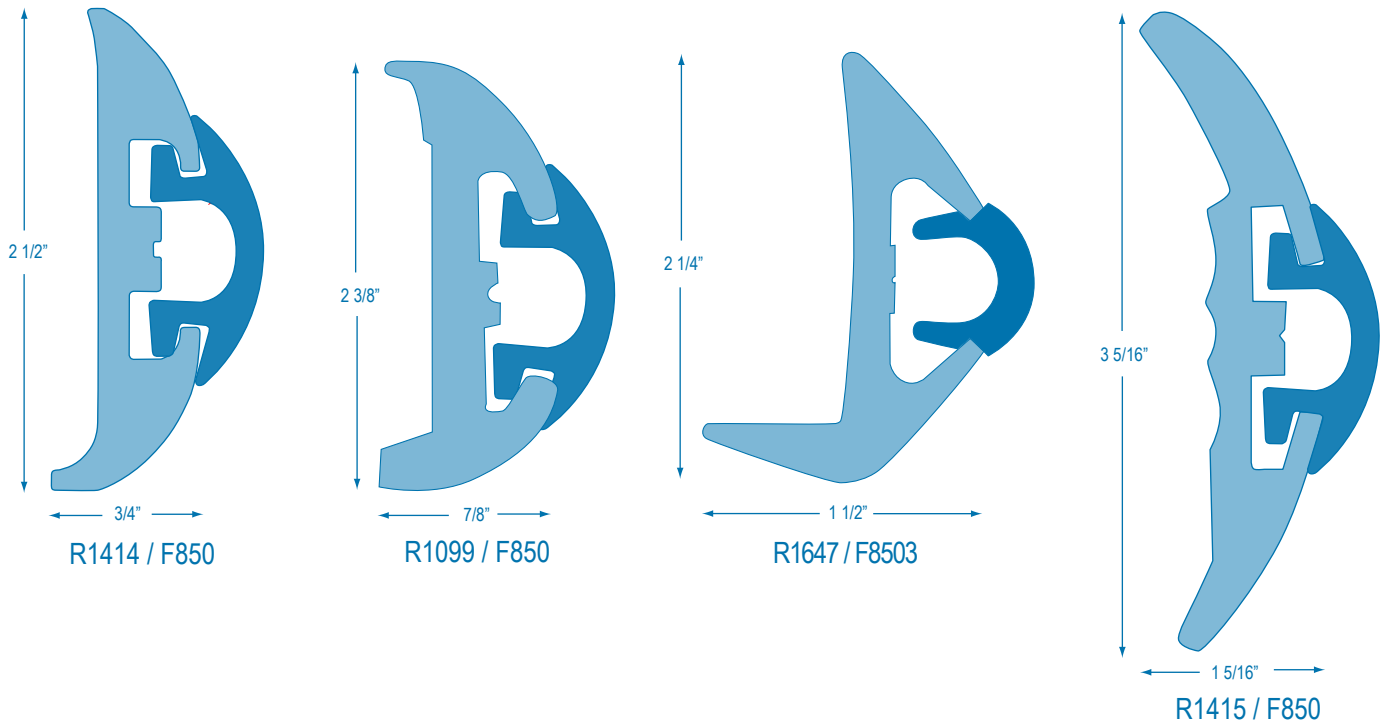
[www.barbourplastics.com](http://www.barbourplastics.com)

# Flexible Rubrails with Inserts

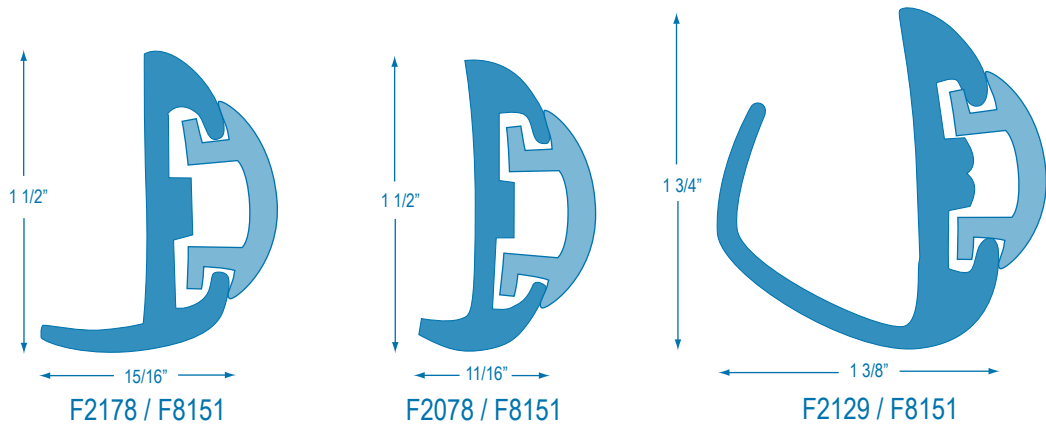


# Rigid & Flexible Rubrail Combinations

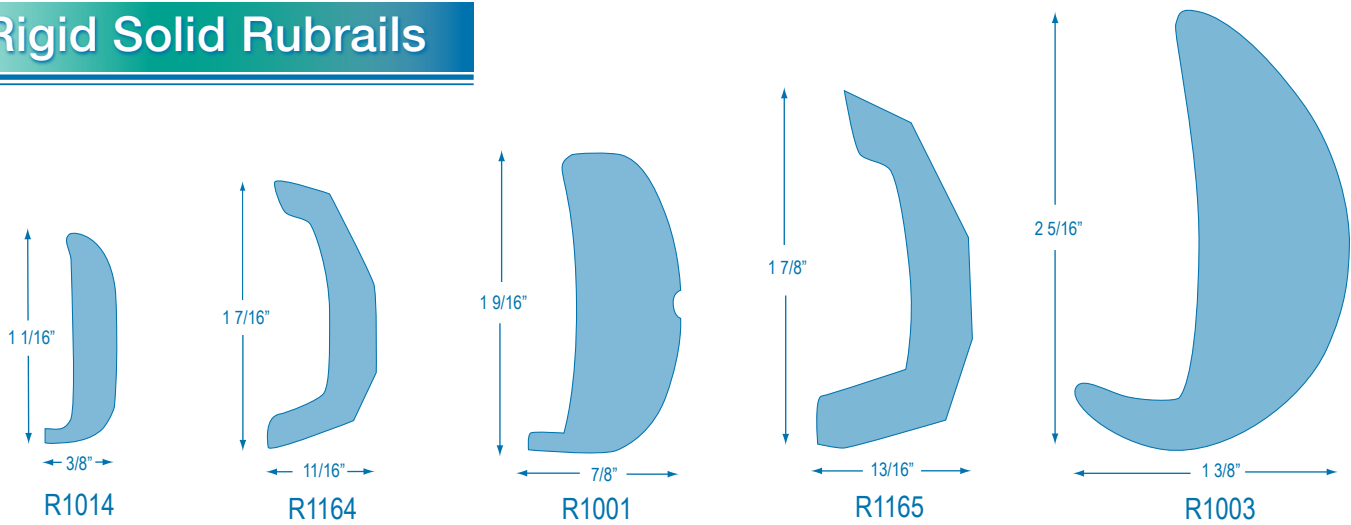


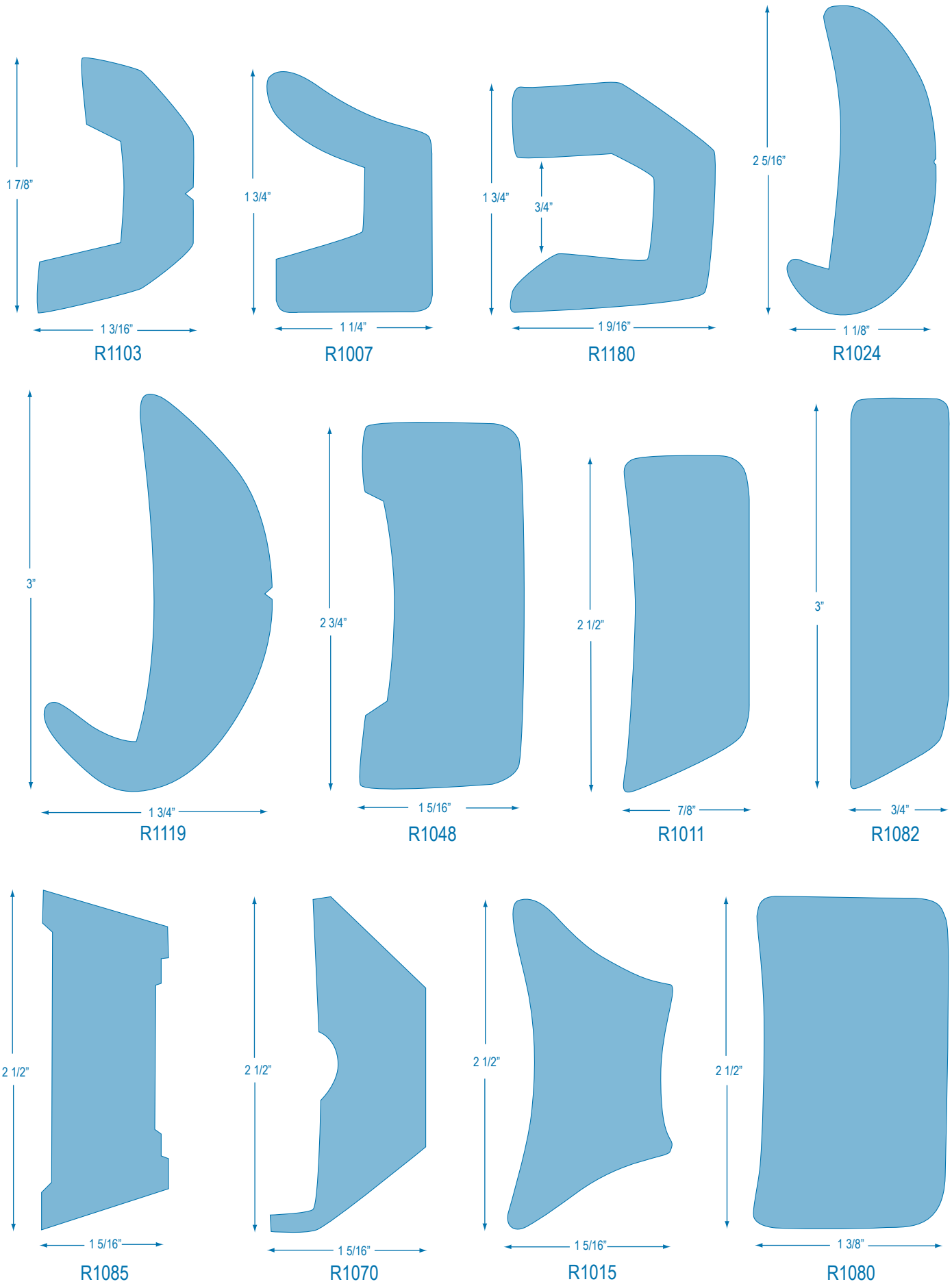


## Semi-rigid Rubrails with Vinyl Inserts



## Rigid Solid Rubrails

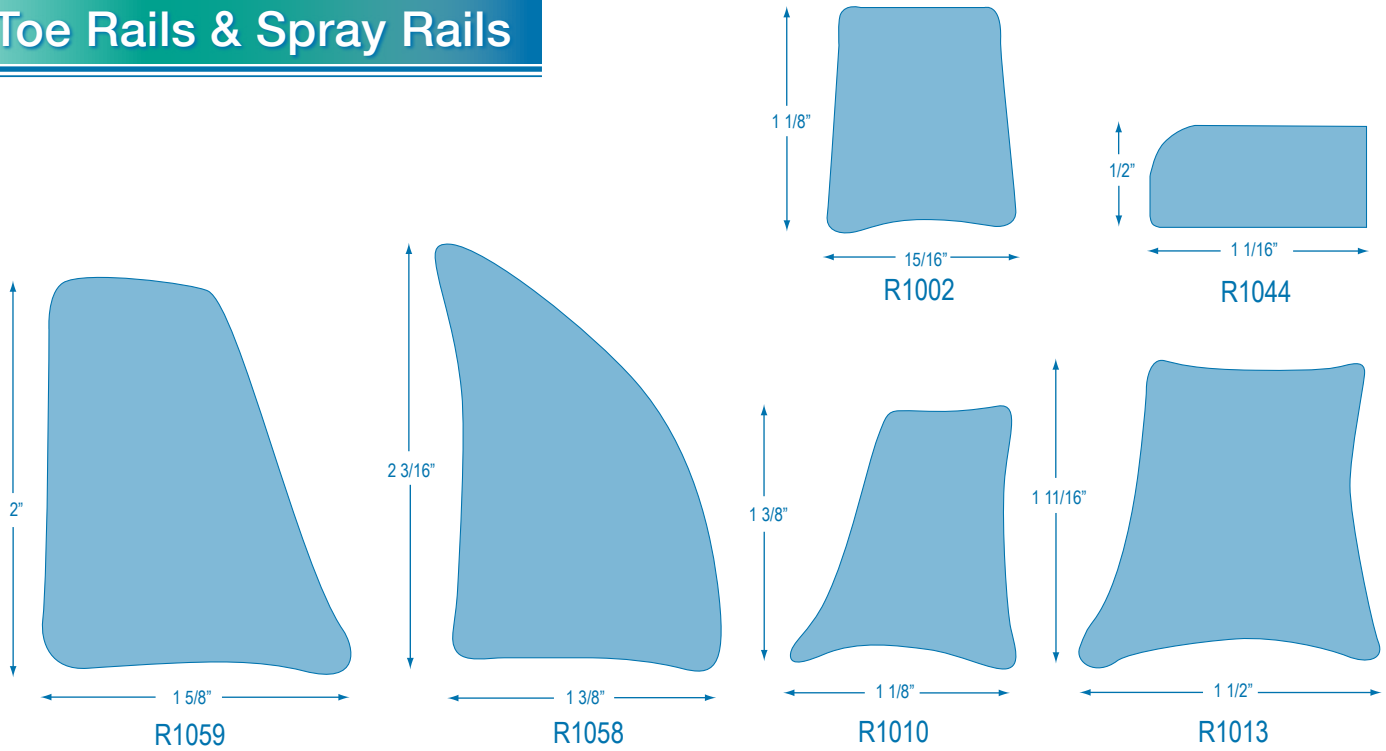




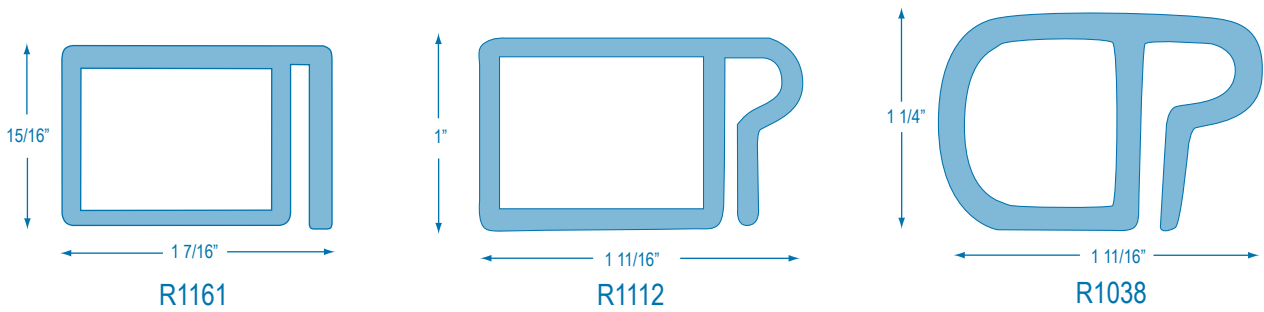
R = Rigid F = Flexible

[www.barbourplastics.com](http://www.barbourplastics.com)

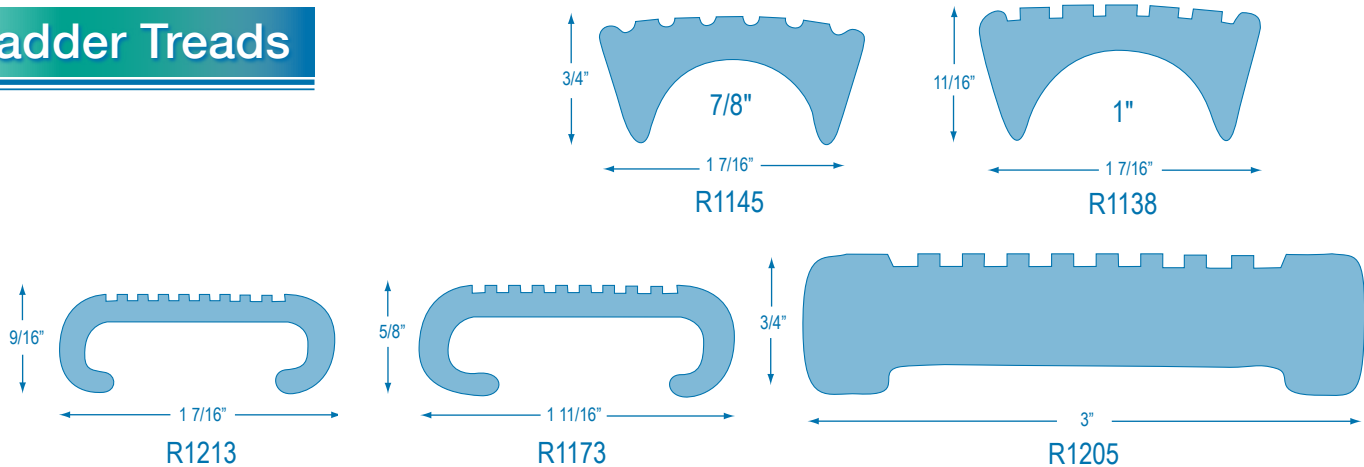
## Toe Rails & Spray Rails



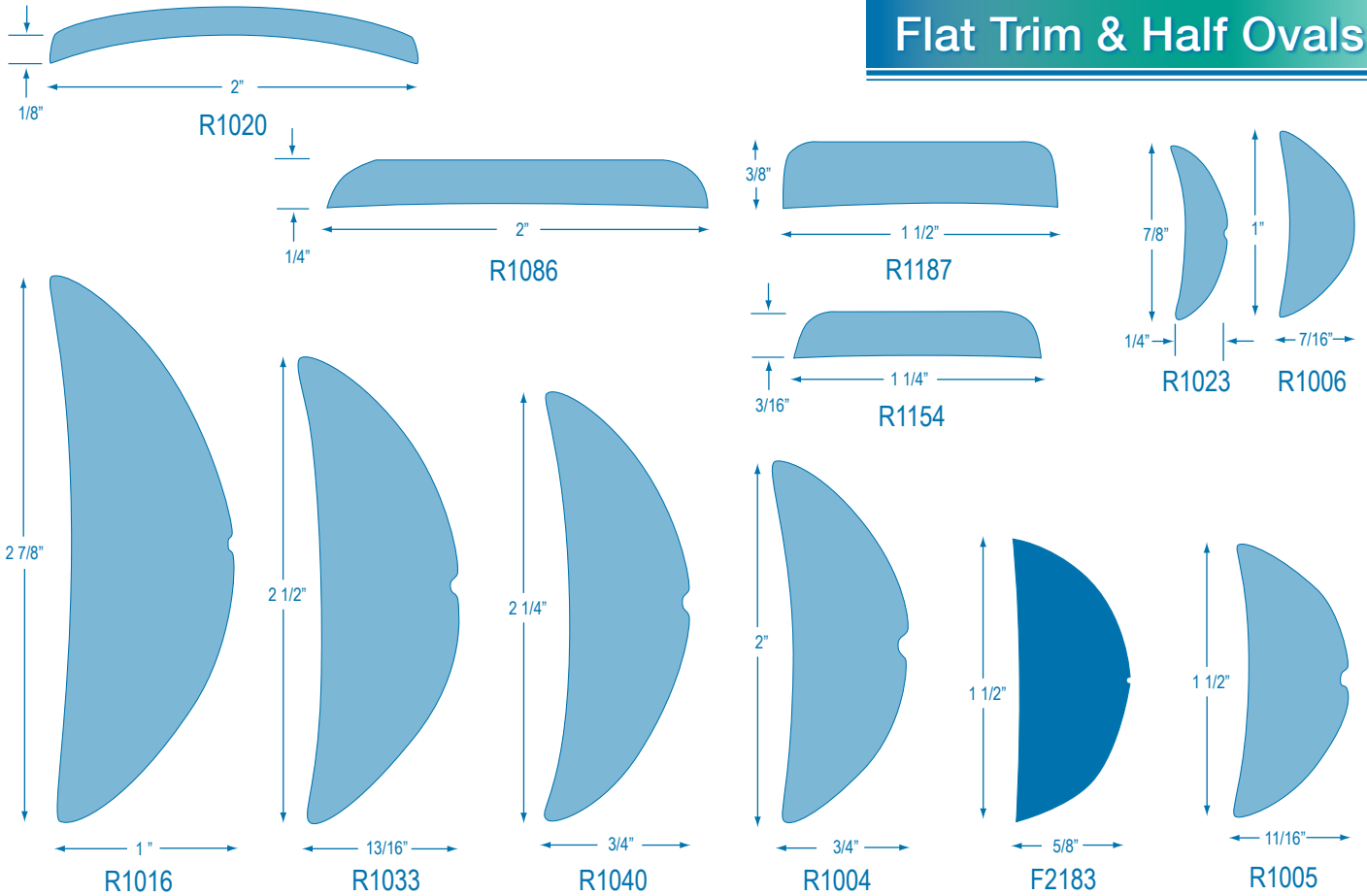
## Canoe Rails



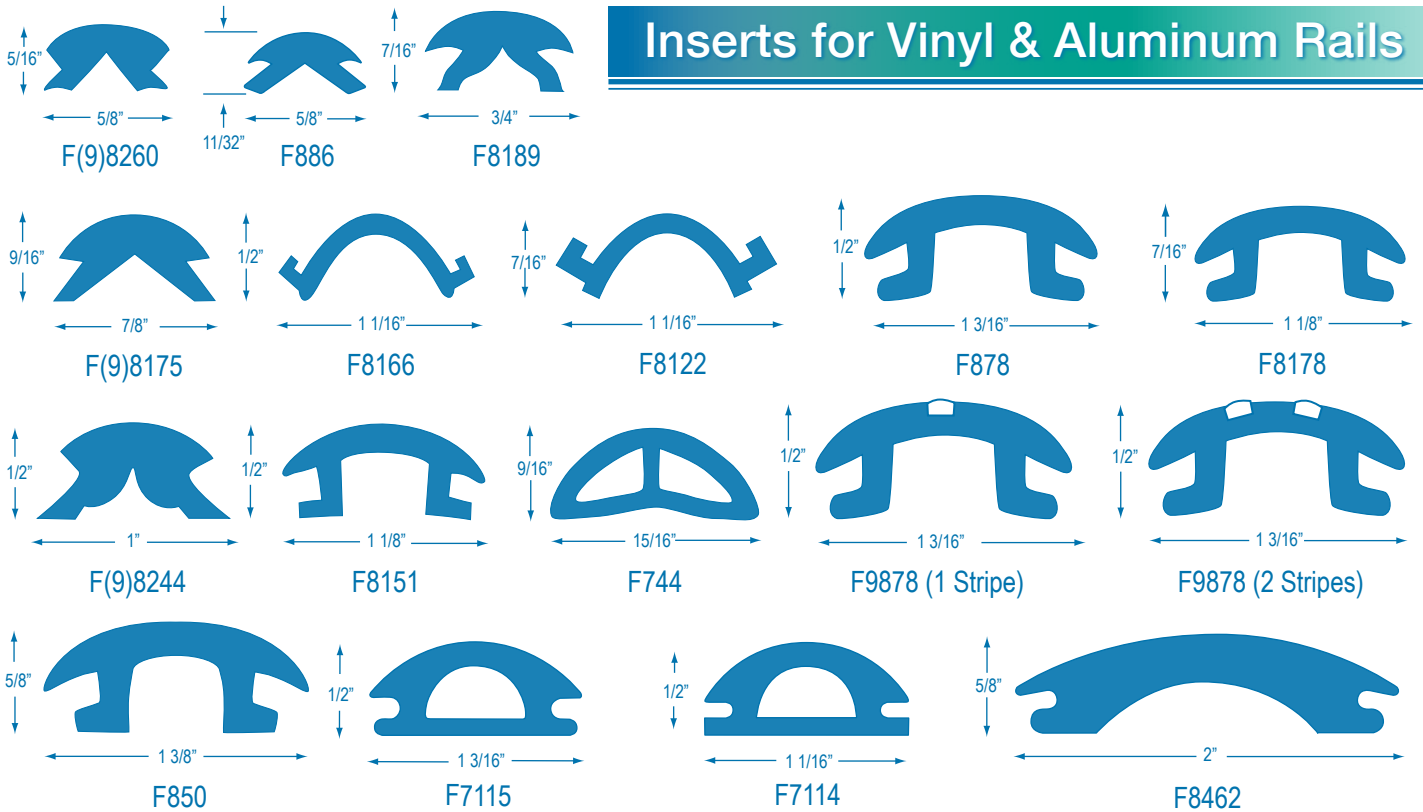
## Ladder Treads



## Flat Trim & Half Ovals



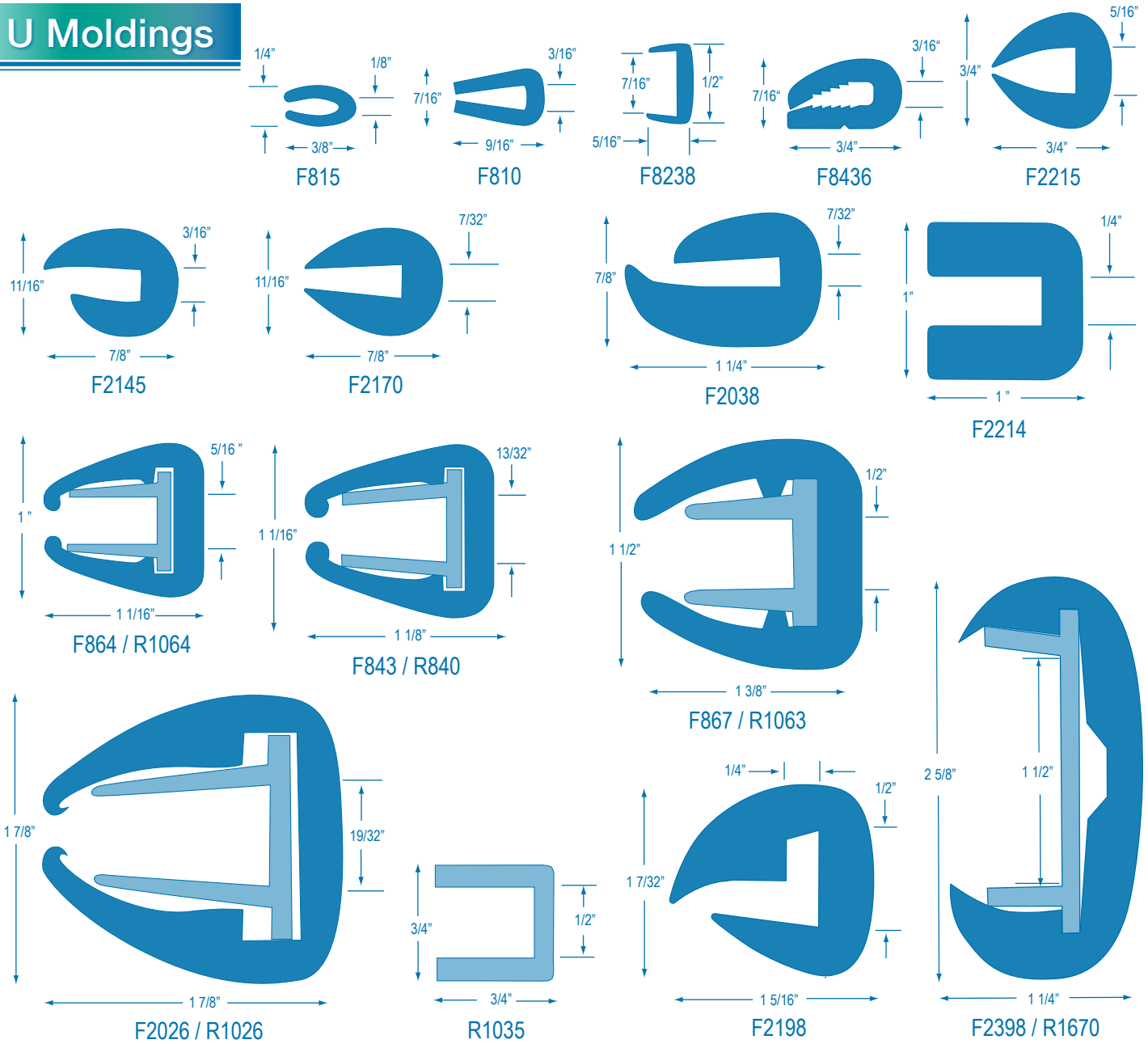
## Inserts for Vinyl & Aluminum Rails



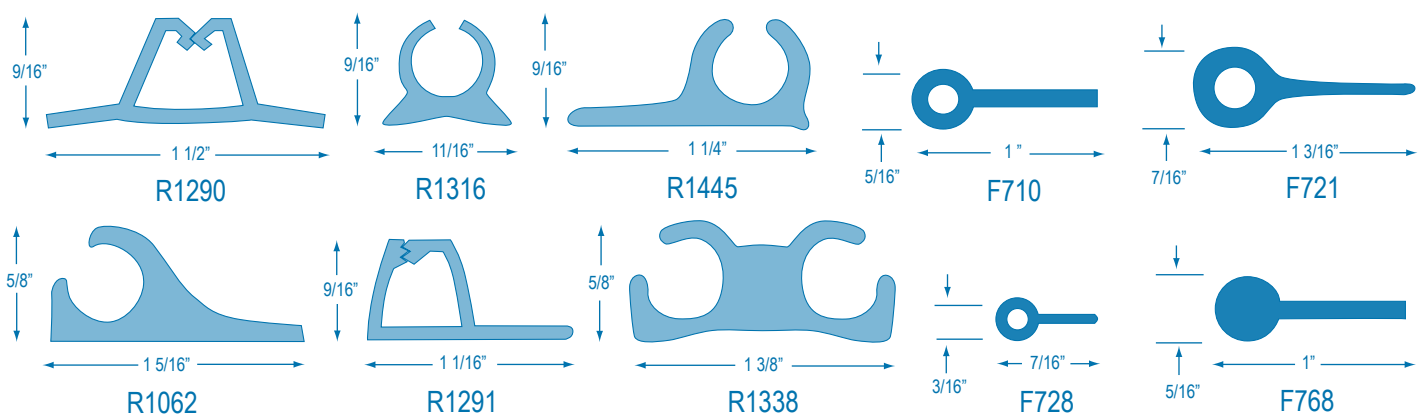
R = Rigid F = Flexible

[www.barbourplastics.com](http://www.barbourplastics.com)

# U Moldings

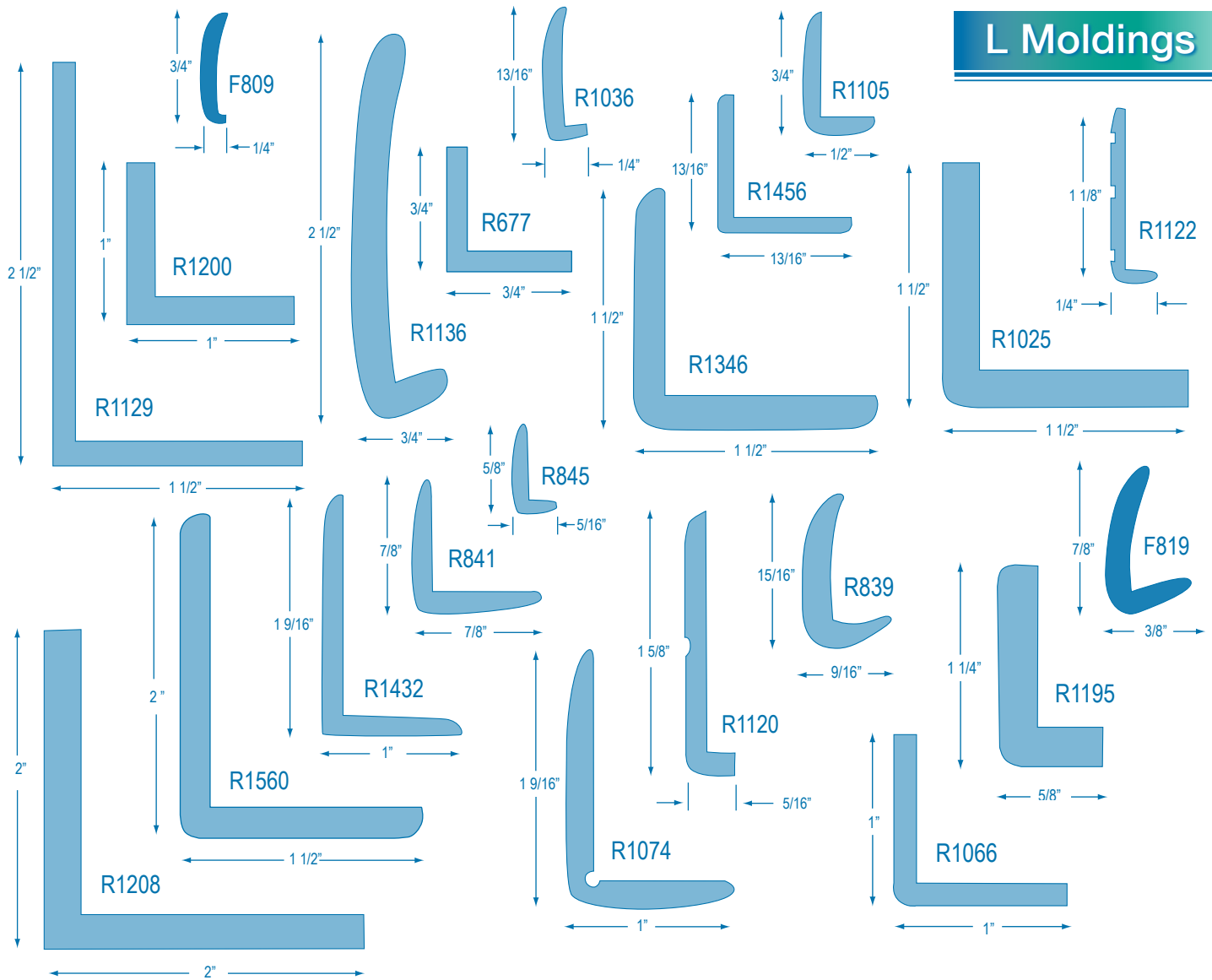


# Awning Track & Welt



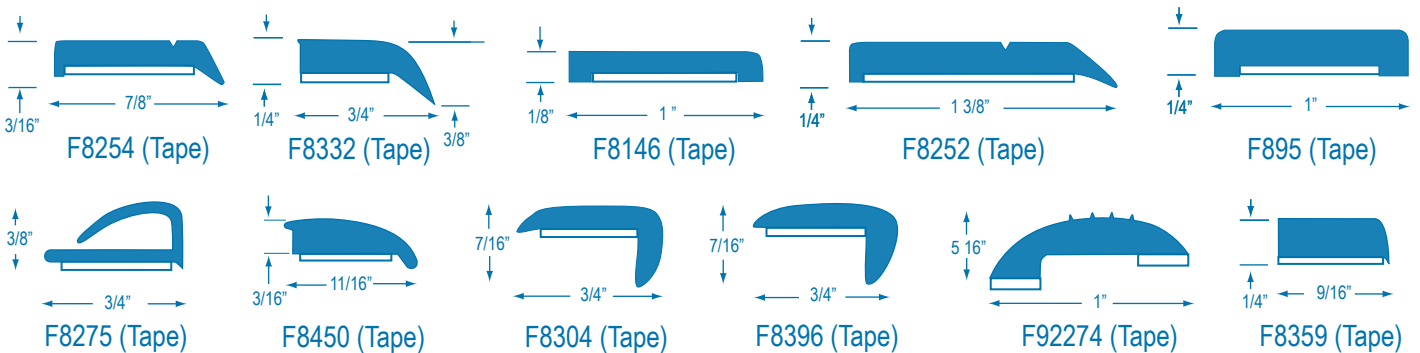


## L Moldings

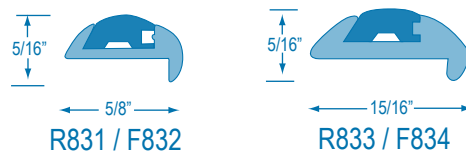


## Galley, Interior & Carpet Trim

### One Piece Trim Units with Self-adhesive VHB Tape Backing



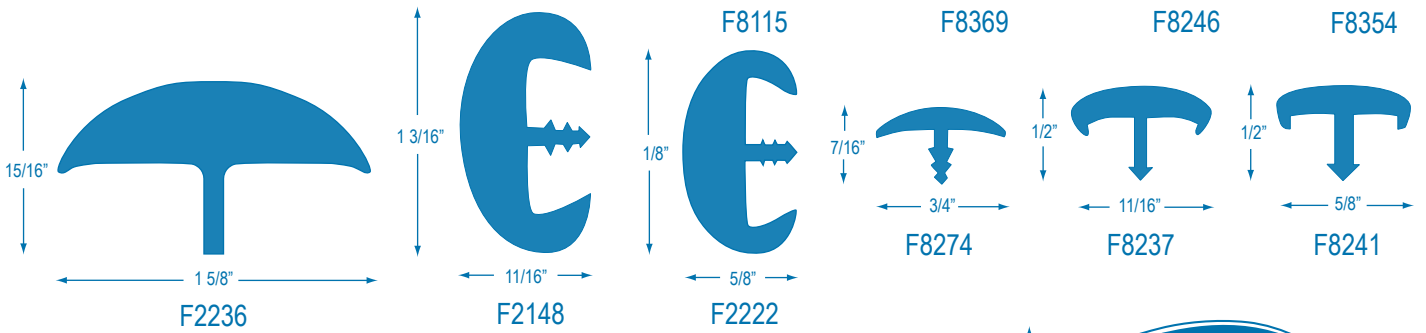
### Rigid / Flexible Trim Units



### Flexible / Flexible Two Piece Trim



# Table Edge & Interior Trim

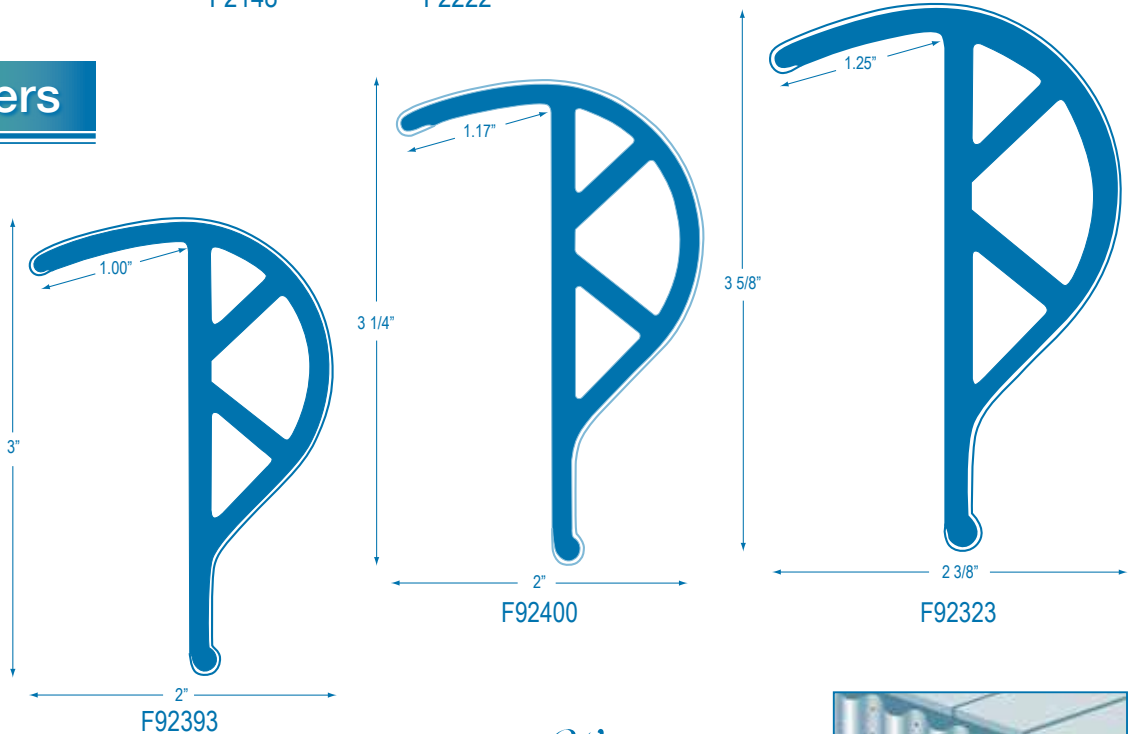


# Dock Bumpers

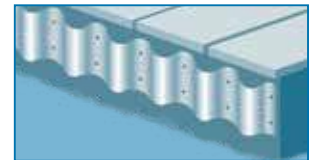
(not to scale)



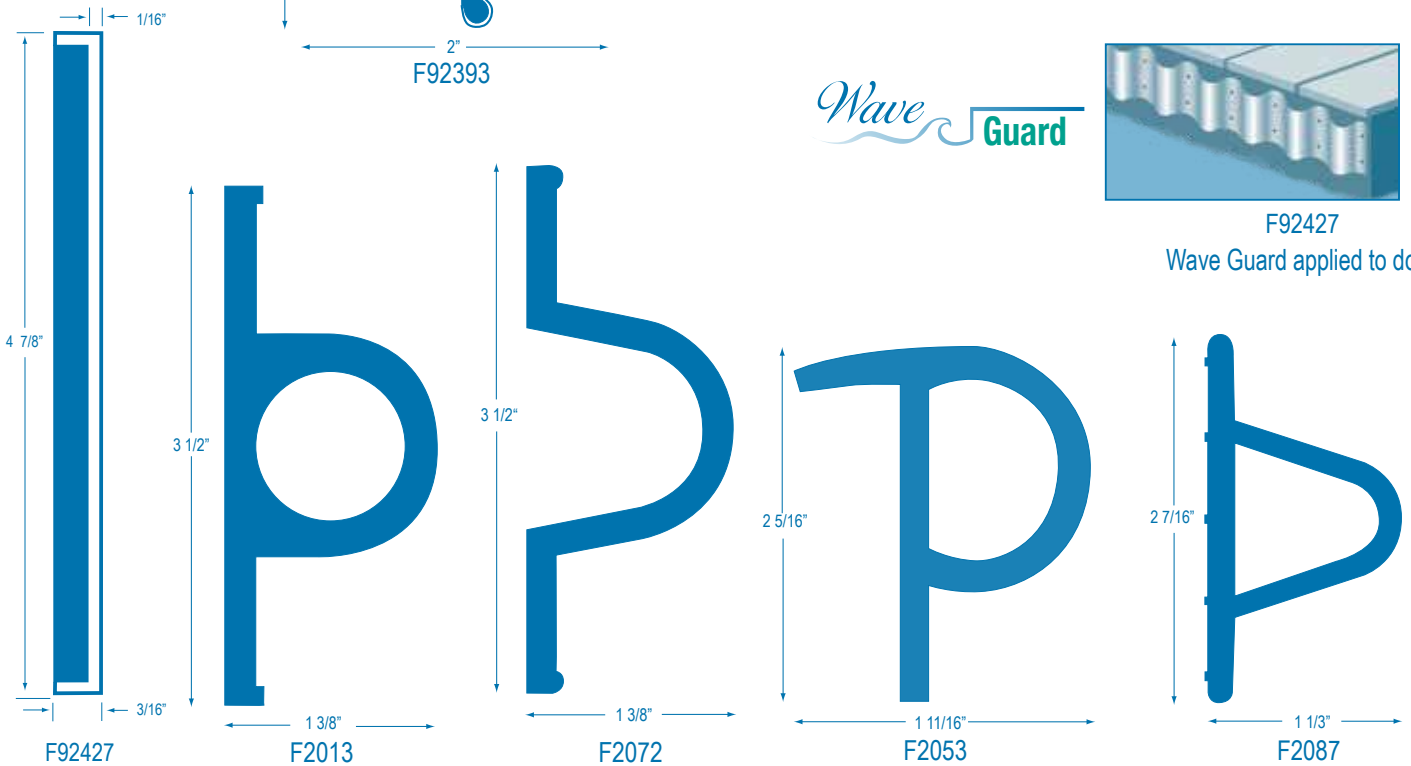
Scan to view more dock bumpers



*Wave* Guard



F92427  
Wave Guard applied to dock



# INDEX

R = rigid    F = flexible

R677	17	R1016	15	R1187	15	F2032	9	F8462	15
F710	16	R1017	4	R1189	11	F2038	16	F8503	12
F713	8, 9, 10	R1019	5	R1195	17	F2042	10		
F714	8, 9	R1020	15	R1198	4	F2051	10	91754	8
F717	10	R1023	15	R1200	17	F2052	10	92015	8
F718	10	R1024	13	R1201	6	F2053	18	92021	8
F721	16	R1025	17	R1205	14	F2055	10	92031	8
F723	10	R1026	16	R1208	17	F2066	10	92033	8
F725	8, 9	R1031	11	R1209	11	F2069	6	92051	8
F728	16	R1033	15	R1213	14	F2070	6	92159	8
F736	10	R1035	16	R1223	4	F2072	18	92160	8
F744	11, 15	R1036	17	R1229	5	F2077	6	92162	8
F748	9	R1038	14	R1235	11	F2078	12	92200	8
F758	8, 10	R1040	15	R1238	11	F2083	6	92449	8
F768	16	R1044	14	R1247	11	F2087	18	92454	8
F779	8,10	R1048	13	R1259	11	F2108	10		
R807	9	R1050	11	R1260	11	F2109	10	F92274	17
F809	17	R1051	11	R1268	4	F2129	12	F92323	18
F810	16	R1053	11	R1279	4	F2145	16	F92393	18
F815	16	R1058	14	R1283	11	F2148	18	F92400	18
F817	10	R1059	14	R1290	16	F2169	6	F92427	18
F818	10	R1062	16	R1291	18	F2170	16	F92454	3
R819	17	R1063	16	R1313	11	F2178	12	F97154	3
R820	9	R1064	16	R1316	16	R2183	15	F(9)8175	10, 11, 15
R821	9	R1065	5	R1329	3	F2198	16	F9878	15
R822	9	R1066	17	R1334	11	F2201	9	F(9)8244	15
F824	9	R1070	13	R1336	4	F2214	16	F(9)8260	15
R831	17	R1072	6	R1338	16	F2215	16		
F832	17	R1074	17	R1346	17	F2222	18	CAP1034	7
R833	17	R1078	11	R1414	12	F2236	18	CAPECR-1	7
F834	17	R1080	13	R1415	12	F2276	6	CAPECR-2	7
R839	17	R1082	13	R1432	17	F2361	6	CAPSR-1	7
R840	16	R1085	13	R1445	16	F2398	16	CAPSSMED	7
R841	17	R1086	15	R1453	6	F7114	15	SSLGCAP	7
F843	16	R1090	4	R1456	17	F7115	15		
R845	17	R1093	5	R1482	5	F8115	18	STA100S12	7
F850	11, 12, 15	R1099	12	R1494	11	F8122	15	STA125S12	7
F853	11	R1102	4	R1499	5	F8146	17	STA2416H	7
F861	10	R1103	13	R1527	6	F8151	12, 15	STA3216H	7
F864	16	R1104	4	R1558	3	F8154	10		
F866	10	R1105	17	R1559	3	F8166	15		
F867	16	R1107	4	R1560	17	F8178	11, 15		
F878	11, 15	R1112	14	R1576	5	F8182	16		
F881	17	R1115	5	R1580	5	F8189	11, 15		
F882	17	R1119	13	R1647	12	F8205	9		
R883	6	R1120	17	R1670	16	F8237	18		
F886	10, 11, 15	R1122	17	R1690	3	F8238	16		
F895	17	R1129	17	R1707	5	F8241	18		
R1001	12	R1130	11	R1708	5	F8246	18		
R1002	14	R1136	17	R1738	6	F8252	17		
R1003	12	R1138	14	F2002	9	F8254	17		
R1004	15	R1140	5	F2003	9	F8266	11		
R1005	15	R1141	5	F2004	9	F8274	18		
R1006	15	R1145	14	F2013	18	F8275	17		
R1007	13	R1152	4	F2015	9	F8304	17		
R1008	4	R1154	15	F2020	10	F8332	17		
R1010	14	R1161	14	F2021	9	F8354	18		
R1011	13	R1164	12	F2023	10	F8359	17		
R1013	14	R1165	12	F2024	9	F8369	18		
R1014	12	R1173	14	F2025	10	F8396	17		
R1015	13	R1175	11	F2026	16	F8436	16		
		R1180	13	F2031	9	F8450	17		

# ORDERING INFORMATION

## MINIMUM ORDER QUANTITIES

Stock Products: \$100

Custom manufactured products carry minimums in accordance with the:

- complexity of the part
- material and the color specified
- unit weight of the shape.

## FREIGHT/DELIVERY

All shipments are sold FOB factory, from either Brockton, MA or Atlanta, GA.

## TERMS

- Net 30 days subject to credit approval
- MasterCard, Visa, Discover, American Express
- Cash before delivery

## RETURN POLICY

For damaged or defective goods, notify our customer service department and explain the nature of the problem. The customer may be requested to return a sample of the merchandise to our QC lab for evaluation. A return authorization number will be issued. No credit will be issued without a return authorization number.

Custom manufactured products that are not defective are not returnable.

Barbour Plastics reserves the right to make changes and updates to all products shown in this catalog. Although some drawings in this catalog depict shapes in actual size, the shape may vary slightly from the illustrations.



**Barbour Plastics, Inc.**

1001 North Montello St., P.O. Box 2158  
Brockton, MA 02305

5350 Bucknell Drive SW  
Atlanta, GA 30336

email: [sales@barbourplastics.com](mailto:sales@barbourplastics.com)  
[www.barbourplastics.com](http://www.barbourplastics.com)



**Barbour Plastics, Inc.**

**1001 North Montello St., P.O. Box 2158  
Brockton, MA 02305**

**5350 Bucknell Drive SW  
Atlanta, GA 30336**

**1(800)955-9649 • (508)583-8200 • Fax(508)583-4113**

**email: [sales@barbourplastics.com](mailto:sales@barbourplastics.com)  
[www.barbourplastics.com](http://www.barbourplastics.com)**